

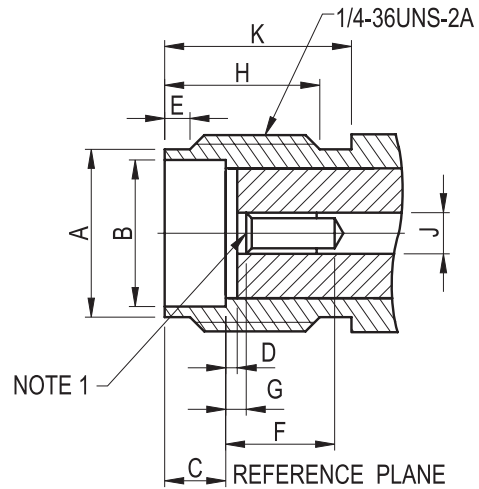
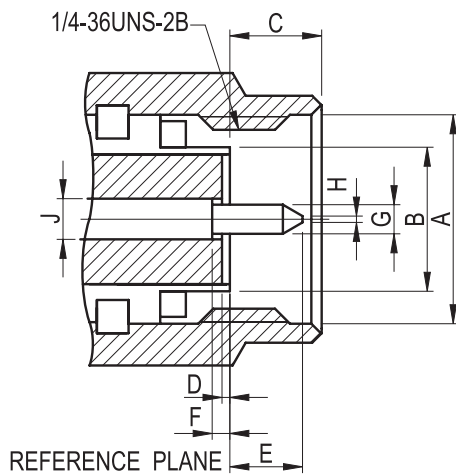
Specifications

Electrical		Material		
Impedance	50 ohms	Parts Name	Material	Finish
Frequency Range	.141" & .085" O.D copper jacket semi-rigid cable. 0-18GHz. Flexible cables:0-12.4 GHz.	Body, Metal Parts	Brass per QQ-B-626	Nickel or Gold*
Voltage Rating	RG-55, 58, 141, 142, 223, 303: 335 volts peak RG-122, 174, 188, 316: 250 volts peak	Center Contacts	Plug: Brass per QQ-B-626 Jack: Beryllium copper per QQ-C-530	Gold
Dielectric Withstanding Voltage	.141" & RG-58 group: 1,000 VRMS. .085" & RG-316 group: 750 VRMS.	Insulators	Teflon	None
VSWR	Straight: 1.3 max. Right Angle: 1.5max	Gasket	Silicone Rubber	
Contact Resistance	Center: 6 milliohms Body: 2.0 milliohms	Crimp Ferrules	Seamless copper tubing alloy	Nickel or Gold*
Insulation Resistance	5000 megohms	*All cable connections are nickel plated; all solder connections for semi-rigid cable are gold plated.		

Mechanical					
Mating	Mating Torque	Connector affixment to cable	Cable affixment to center contact	Contact captivation	Connector durability
50 ohm coupling,	Recommended : 2 inch pounds Disengagement : 2 inch pounds	Crimp types , Solder types	Solder	All types, except as noted	250 mating and unmating cycles min.

SMA SERIES

Interface Mating Dimensions



PLUG		
Letter	Millimeters	
	Minimum	Maximum
A	6.35(.250)	6.73(.265)
B	4.53(.178)	4.59(.181)
C	2.54(.100)	3.43(.135)
D	0.00	0.25(.010)
E	1.91(.075)	2.54(.100)
F	0.00	0.25(.010)
G	0.90(0.035)	0.94(.037)
H	0.00	0.38(.015)
J	1.24(.049)	1.30(.051)

JACK		
Letter	Millimeters	
	Minimum	Maximum
A	5.28(.208)	5.49(.216)
B	4.60(.181)	4.67(.184)
C	1.88(.074)	1.98(.078)
D	0.00	0.25(.010)
E	0.38(.015)	1.14(.045)
F	2.92(.115)	-
G	0.00	0.25(.010)
H	4.32(.170)	-
J	1.24(.049)	1.30(.051)
K	5.54(.218)	-

NOTE 1 : I.D. TO MEET VSWR AND CONTACT RESISTANCE WHEN MATED WITH 0.9/0.94 MM DIA. PIN.