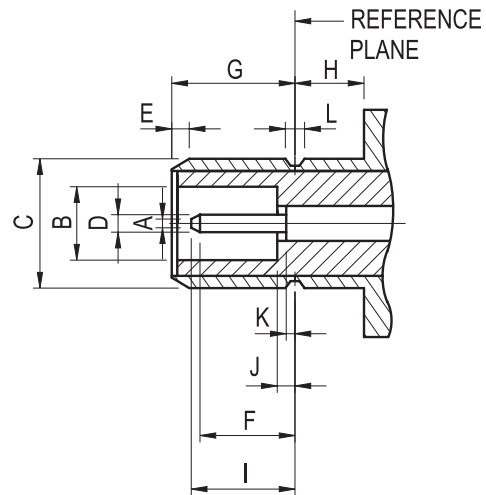
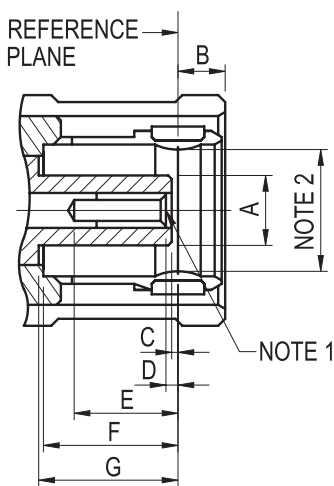


Specifications

Electrical		Material		
Impedance	50 ohms	Parts Name	Material	Finish
Frequency Range	0-4 GHz	Body, metal parts	Brass per QQ-B-626	Nickel or Gold*
Dielectric Withstanding Voltage	750V 1000V	Center Contacts	Plug: Brass per QQ-B-626 Jack: Beryllium copper per QQ-B-530	30u" Gold
VSWR	Straight: 1.3 max. Right Angle: 1.5 max.	Insulators	PTFE	None
Working Voltage 50Hz rms	250V - 335V Max.	Gaskets	Silicone rubber	None
Working Voltage DC	350V - 450V Max.	Crimp Ferrules	Seamless copper tubing alloy	Nickel
Insulation Resistance	1000 megohms min.	*All cable connections are nickel plated; all solder connections are gold plated.		
Contact Resistance	Inner Conductor ≤ 6 milliohms Outer Conductor ≤ 2.5 milliohms	Note : Other Material/Finish is Available on Request.		

Interface Mating Dimensions



SMB SERIES

PLUG		
Letter	Millimeters	
	Minimum	Maximum
A	2.00(.079)	2.06(.081)
B	-	1.62(.064)
C	0.18(.007)	-
D	0.18(.007)	0.94(.037)
E	2.97(.117)	-
F	3.58(.141)	-
G	3.58(.141)	-

JACK		
Letter	Millimeters	
	Minimum	Minimum
A	-	0.25(.010)
B	2.08(.082)	2.16(.085)
C	3.66(.144)	3.71(.146)
D	0.48(.019)	0.53(.021)
E	0.00	-
F	1.32(.052)	-
G	3.33(.131)	3.58(.141)
H	2.03(.080)	-
I	-	2.97(.117)
J	-	0.18(.007)
k	-	0.18(.007)
L	0.69(.027)	0.94(.037)

NOTE 1 : I.D. TO MEET VSWR AND CONTACT RESISTANCE WHEN MATED WITH 0.48/0.53 MM DIA. PIN.

NOTE 2 : MUST MEET THE FORCE TO ENGAGE AND DISENGAGE WHEN MATED WITH MATING PART.